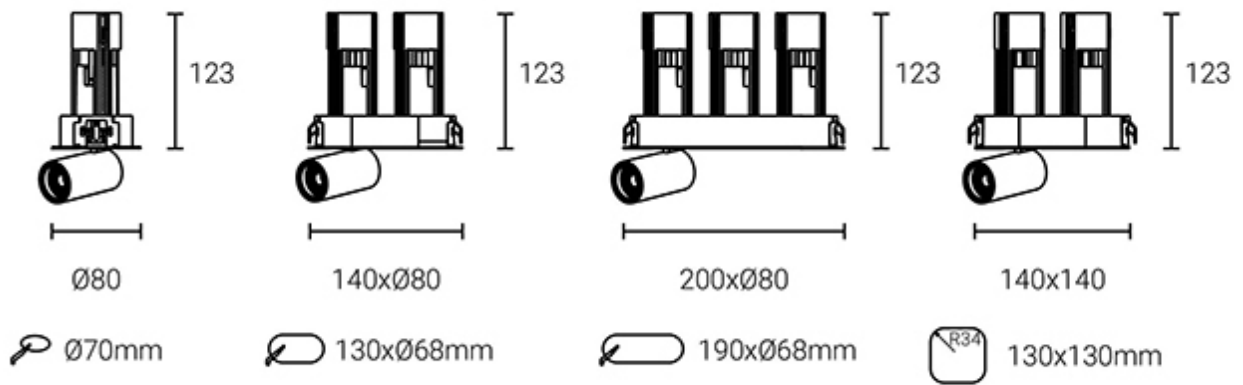


- Colour:
- 
White+White
 - 
White+Black
 - 
Black+Gold
 - 
Black+Black
- Optional:
- 
Honey comb
 - 
Soft Lens
 - 
Square
 - 
Stripe



LS3005E70 / LS3005E70-2 / LS3005E70-3 / LS3005E70-4

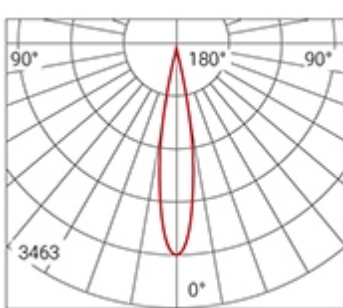
型号	Model Code	LS3005E70	LS3005E70-2	LS3005E70-3	LS3005E70-4
功率	Power	6W	2x6W	6Wx3	6Wx4
开孔	Cut out	Φ70mm	130xΦ68mm	190xΦ68mm	130x130mm-R34
光源	Light Source	HONOURTEK	HONOURTEK	HONOURTEK	HONOURTEK
尺寸	Size(DxH)	Φ80x123mm	140xΦ80x123mm	200xΦ80x123mm	140x140x123mm

眩光值	UGR	<19	<19	<19	<19
显色指数	CRI	≥80/≥90	≥80/≥90	≥80/≥90	≥80/≥90
光束角	Beam angle	15°/24°/38°	15°/24°/38°	15°/24°/38°	15°/24°/38°

色温	CCT	2700K/3000K/4000K/5000K	2700K/3000K/4000K/5000K	2700K/3000K/4000K/5000K	2700K/3000K/4000K/5000K
光通量	Lumens	570 lm	1140 lm	1710 lm	2280 lm
寿命	Life time	50000 h	50000 h	50000 h	50000 h
防护等级	IP	IP20 / IP65	IP20 / IP65	IP20 / IP65	IP20 / IP65

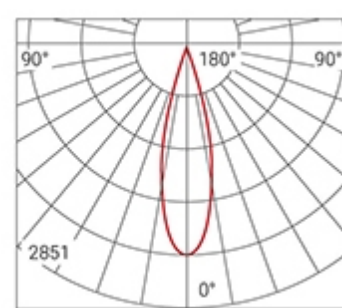
配光参数 Photometric

Beam Angle 15° 6W 3000K



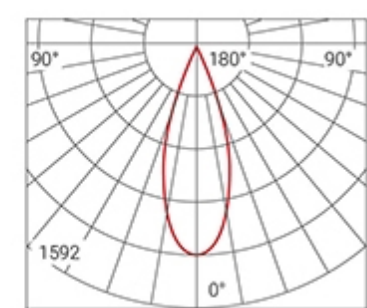
H(m)	D(cm)	Em(lux/klm)
1	52	957.9/2753
2	103	239.5/688.5
3	155	106.4/305.9
4	207	59.87/172.1

Beam Angle 24° 6W 3000K



H(m)	D(cm)	Em(lux/klm)
1	55	905.9/2270
2	110	226.5/567.6
3	166	100.6/252.2
4	221	56.62/141.9

Beam Angle 38° 6W 3000K



H(m)	D(cm)	Em(lux/klm)
1	79	458.8/1273
2	157	114.7/318.4
3	236	50.98/141.5
4	314	28.68/79.61