



Colour:

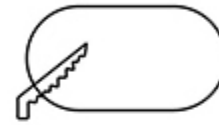


Sand gold Pearl Black Black White Silver Chrome

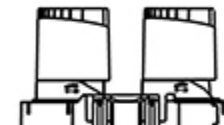
Optional:



Honey comb Stripe



225xØ115mm



224x165



224x165

## XQ-100301T95-2 / XQ-100302T95-2 / XQ-100303T95-2 / XQ-100304T95-2

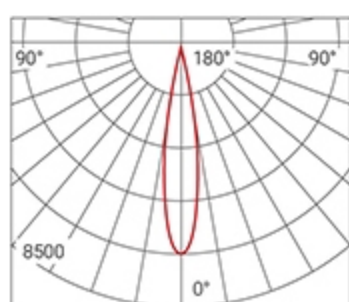
型号	Model Code	XQ-100301T95-2	XQ-100302T95-2	XQ-100303T95-2	XQ-100304T95-2
功率	Power	2x20W	2x20W	2x20W	2x20W
开孔	Cut out	225xØ115mm	225xØ115mm	225xØ115mm	225xØ115mm
光源	Light Source	CREE	CREE	CREE	CREE
尺寸	Size(DxH)	224x165x126mm	224x165x131mm	224x165x126mm	224x165x131mm

眩光值	UGR	<19	<19	<19	<19
显色指数	CRI	≥80/≥90	≥80/≥90	≥80/≥90	≥80/≥90
光束角	Beam angle	15°/24°/38°	15°/24°/38°	15°/24°/38°	15°/24°/38°

色温	CCT	2700K/3000K/4000K/5000K	2700K/3000K/4000K/5000K	2700K/3000K/4000K/5000K	2700K/3000K/4000K/5000K
光通量	Lumens	2048 lm/2253 lm/2355 lm/2499 lm	2048 lm/2253 lm/2355 lm/2499 lm	1884 lm/2073 lm/2167 lm/2299 lm	1884 lm/2073 lm/2167 lm/2299 lm
寿命	Life time	50000 h	50000 h	50000 h	50000 h
防护等级	IP	IP20 / IP65	IP20 / IP65	IP20 / IP65	IP20 / IP65

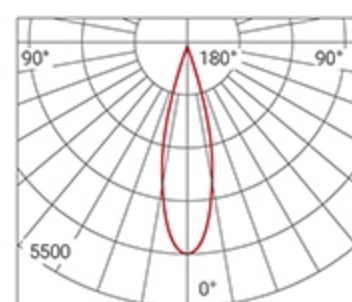
## 配光参数 Photometric

Beam Angle 15° 20W 3000K



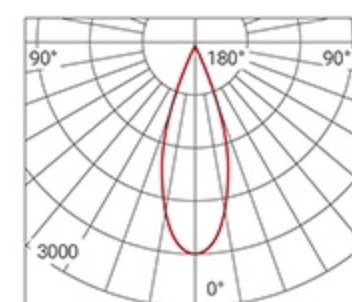
H(m)	D(cm)	Em(lux/klm)
1	26.26	5771/8713
2	52.52	1443/2178
3	78.78	641.2/968
4	105.05	360.7/544.5

Beam Angle 24° 20W 3000K



H(m)	D(cm)	Em(lux/klm)
1	37.05	3618/5464
2	74.09	904.6/1366
3	111.14	402.1/607.11
4	148.18	226.2/341.5

Beam Angle 38° 20W 3000K



H(m)	D(cm)	Em(lux/klm)
1	62.1	1891/2885
2	124.2	472.8/721.1
3	186.31	210.1/320.5
4	248.41	118.2/180.3